



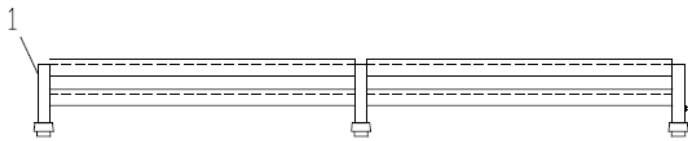
KUNSTMANN

ASSEMBLY INSTRUCTION – EPOXY RACKS

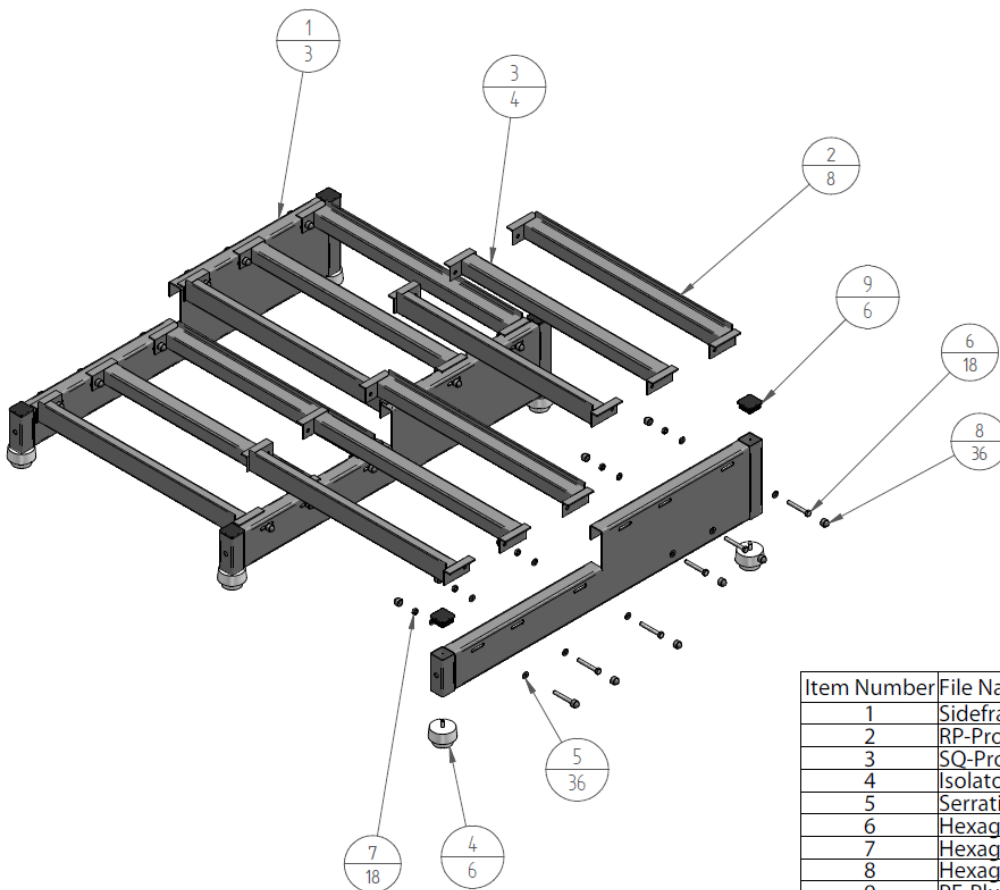
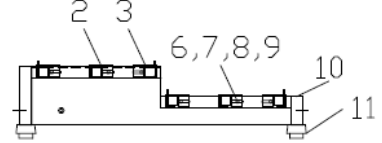
1 Drawing

Floor Epoxy Rack:

Front View:



Side View:



Item Number	File Name (no extension)	Quantity
1	Sideframe	3
2	RP-Profile	8
3	SQ-Profile	4
4	Isolator	6
5	Serration contact washer M8	36
6	Hexagon-head screw M8x60 DIN 933	18
7	Hexagonal nut M8 DIN 934	18
8	Hexagon-head cover cap M8	36
9	PE-Plug 40x40mm	6

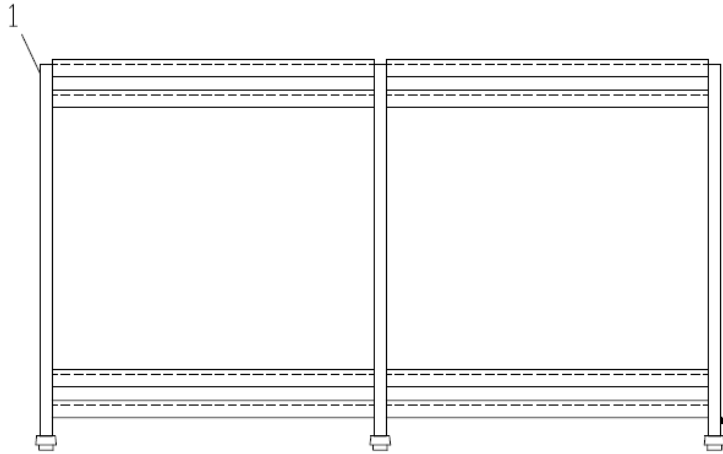
Tiered Epoxy Rack:



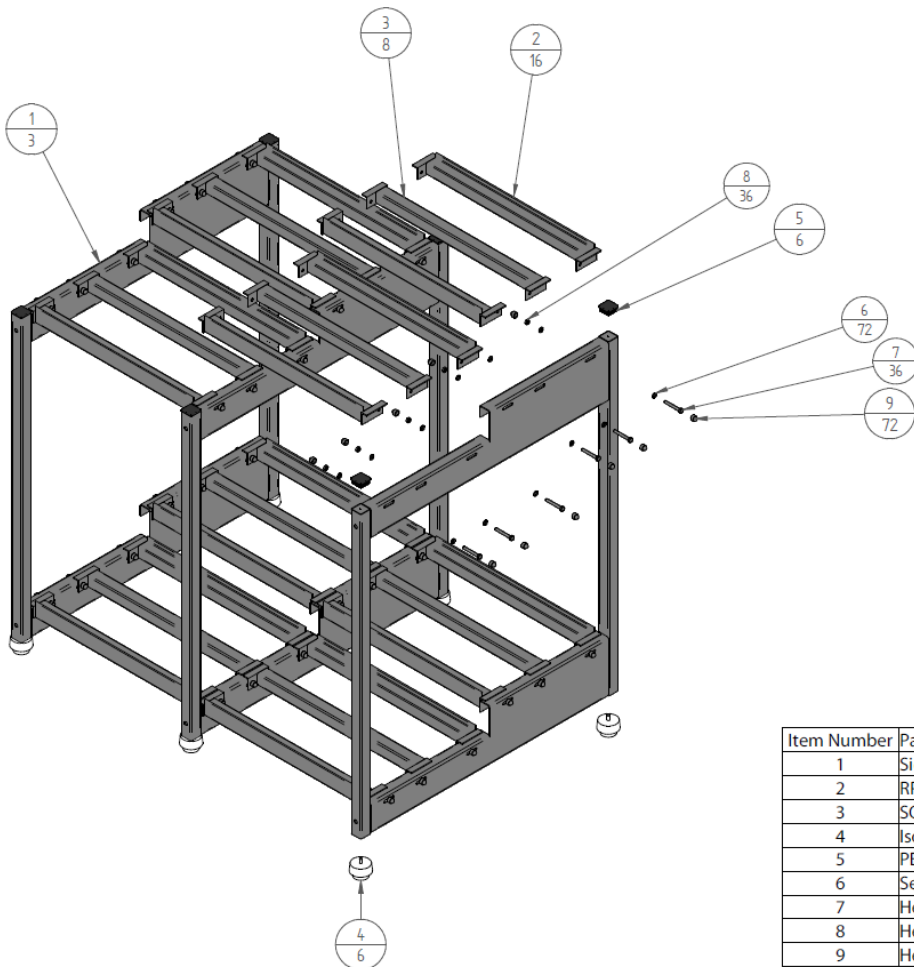
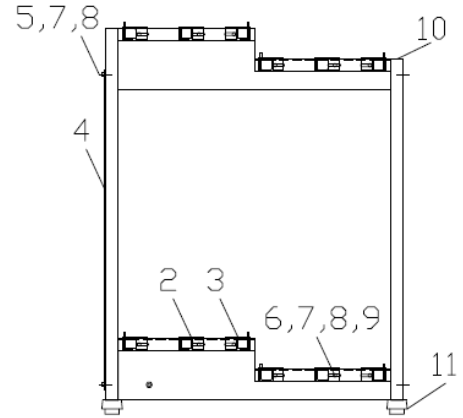
KUNSTMANN

ASSEMBLY INSTRUCTION – EPOXY RACKS

Front View:



Side View:



- 1 torque wrench with hexagon nut SW 13
- Wrench SW 13

AiB KUNSTMANN

Item Number	Part name	Quantity
1	Sideframe	3
2	RP-Profile	16
3	SQ-Profile	8
4	Isolator	6
5	PE-plug 40x40mm	6
6	Serration contact washer M8	72
7	Hexagon-head screw M8x60 DIN 933	36
8	Hexagonal nut M8 DIN 934	36
9	Hexagon-head cover cap M8	72



ASSEMBLY INSTRUCTION – EPOXY RACKS

- Tightening torque for all screws M 8: 20 Nm

3 Assembly

3.1 Unpacking the stand

Please unpack the stand and check for completeness against the parts list. Please check that the parts are not damaged.

Read the instructions carefully before assembly.

Please find a suitable place for the stand.

3.2 The stand is assembled in 4 steps:

3.3. Assemble the stand without battery.

3.4. Install the battery

Study the parts list and drawing exactly before assembling the rack.

3.3 Assembling the stand without batteries

3.3.1 Take first all side frames (1) and put the insulators (11) into the hole at the bottom of the side frame and the PE-Plugs (10) in the open pipe at the top of the side frame.

3.3.2 Begin left and take one side frame (1) and RP-Profiles (2) and/or SQ-Profiles (3), adjust the profiles according to the width of the battery and screw them with the screws M8x60 (6), contact washers (7) and hex nuts M8 (8).

3.3.3 Take a second side frame (1), RP-Profiles (2) and/or SQ-Profiles (3), adjust the profiles according to the width of the battery and screw them with the profiles of the previous section and screws M8x60 (6), contact washers (7) and hex nuts M8 (8). Also screw the diagonals (4) on the backside with screws M8x25 (5) and contact washers (7).

If you have a Floor Epoxy Rack you do not have diagonals !-!

3.3.4 Repeat the step from 3.3.3 as much as sections you have in the drawing.

3.3.5 Take the last side frame (1), RP-Profiles (2) and/or SQ-Profiles (3), adjust the profiles according to the width of the battery and screw them with the profiles of the first section and screws M8x60 (6), contact washers (7) and hex nuts M8 (8).

3.3.6 Once the complete rack is standing cover the screws and hex nuts with PE-Plugs M8 (9).



ASSEMBLY INSTRUCTION – EPOXY RACKS

3.4 Installing the batteries by using flexible edge protection to avoid coating damages. Make sure you do not damage the coating of the entire rack !-!

4 General

We consider the way described above to be easy and practicable.

Please handle all coated parts very carefully to preserve the integrity of the coating layer.

Please re check the torque of all screws every 6 - 12 months.

ATTENTION – IMPORTANT NOTE FOR LIFETIME OF COATING:

DO NOT apply any grease on the profiles for better sliding of the cells during assembly. Only Vaseline is permitted. Clean the stand with a damp cloth only. Do not use any cleaning agents or silicone sprays.

Avoid direct and permanent ultraviolet radiation from sunlight or neon tubes. Ultraviolet light can cause premature aging of Epoxy coating and can lead to even more serious damages.

STORAGE INSTRUCTION

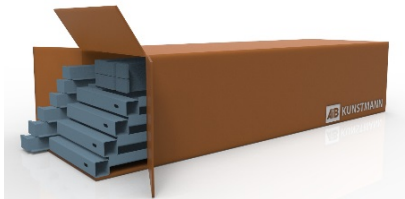
- Range of temperature: +5 to +50 °C
- Protect against heat, direct sunlight, rain and humidity



ASSEMBLY INSTRUCTION – EPOXY RACKS

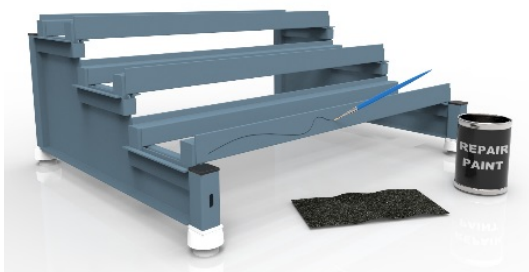


- No tilting or rough handling of the single rack parts - packed or unpacked



HANDLING INSTRUCTION

- Racks has to be placed on plain surface and upright position
- Damages of the racks has to be repaired proper according instruction



- Check that all screws are tight
- Avoid direct and permanent ultraviolet rays from sunlight or neon light.
- During the assembly no use of grease on the profiles or grids. Only vaseline is possible.



ASSEMBLY INSTRUCTION – EPOXY RACKS

- Clean the racks only with a damp cloth. No use of cleaning agents or silicone spray.



- Cabels, layed at the stand has to be protective isolated according EN 50272-2.

ADVICE: According to this commentary pay attention during assembling to following list:

- Avoid under all circumstances the damaging of the coating during transport and assembly.
- For tiered stands/racks use PE plugs M8 to cover all screws and nuts M8.
- The stand/rack must be assembled with insulators.
- Cabels, laid at the stand must be isolated according to EN 50272-2.

APPLIED STANDARDS: EN 50272-2 : 12-2001 and EN 60664

COMMENTARY: According to EN 50272-2 : 12-2001 para 5.2 epoxy coated racks made from metal have to be connected to the ground (or earth) connector. The construction of the AIB Kunstmann racks provided fulfils the demands of EN 60664.

Pay attention to the enclosed drawings regarding assembling of stands, mounting of diagonals and the commitment regarding EN 50272.

In case of questions or missing parts, please contact your supplier.

<http://www.aib-kunstmann.de/de/kontakt>